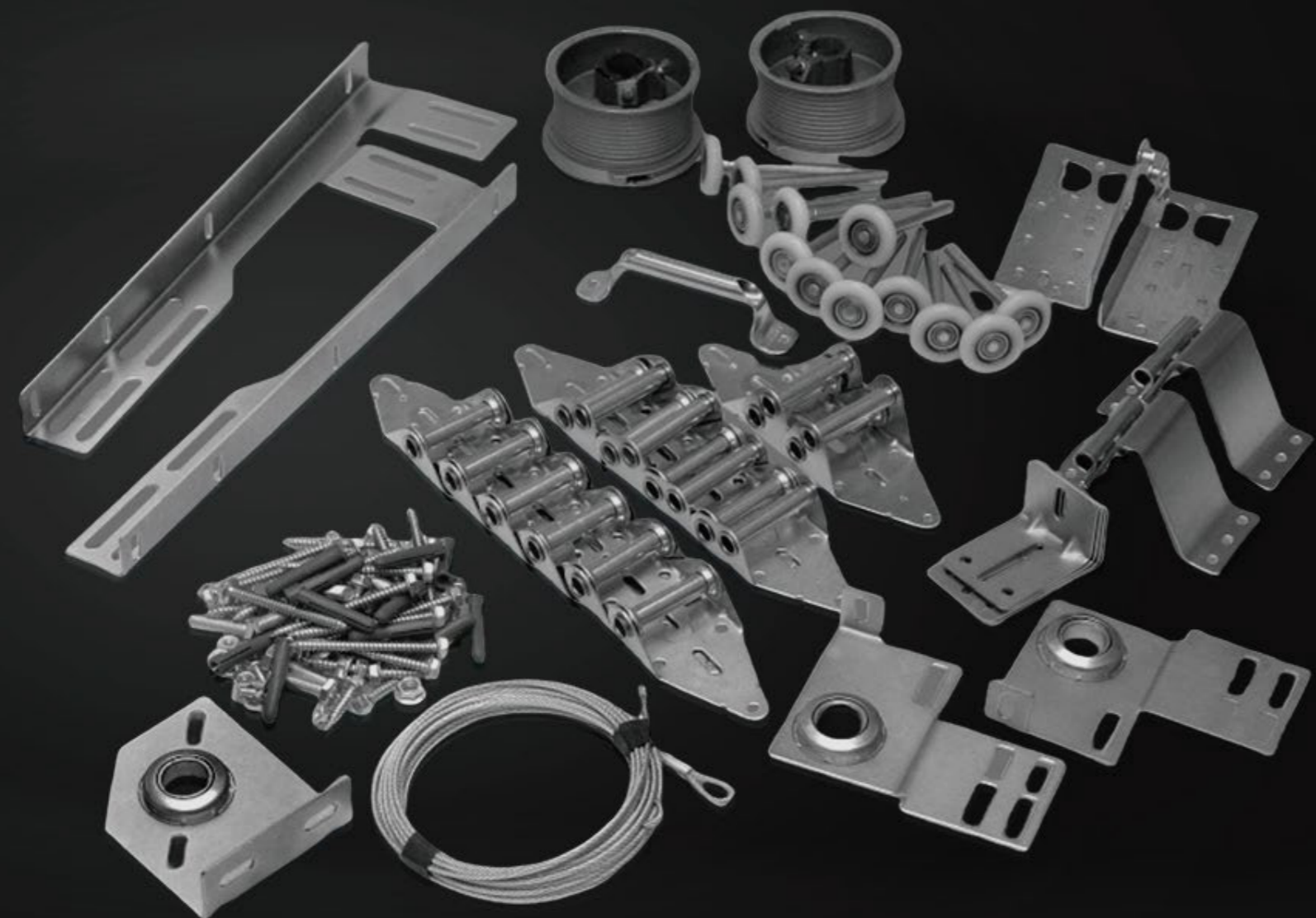


Entrar Industrial Door Accessories

Comprehensive accessory selection
Quality service
One-stop solution



Entrar Access Technologies UK LTD
124 City Road, EC1V 2NX
London, UK



Entrar Accessories and Services

Entrar offers a comprehensive range of door accessories, including springs, hinges, anti-break steel cables, bearing brackets, tracks, vertical angle irons, guide rails, rollers, and more. We are dedicated to providing you with a complete set of accessories and services, allowing you to enjoy the convenience and efficiency of one-stop service.

By choosing Entrar, you will get:

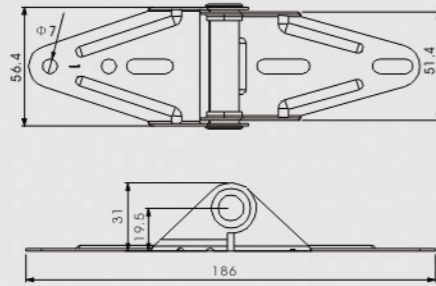
- Comprehensive accessory selection: All door accessories available
- Quality service: Professional team providing technical support
- One-stop solution: Simplify procurement process and enhance efficiency

Let us help you achieve the best performance and safety for your door products. Choose Entrar for peace of mind and convenience.

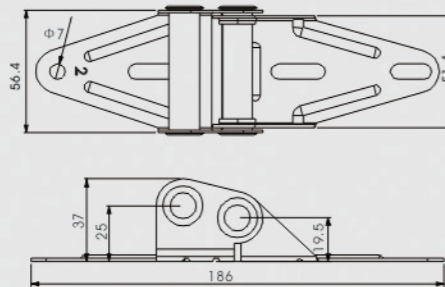
CONTENTS

Hinge&Door Bracket Series	14
Bracket Series	26
Lift Handle Series	27
Latch Series	29
Chain Hoist Series.....	31
Coupler Series	32
Roller Series	36
Cable Drum Series.....	41
Miscellaneous Series	47
Spring Series	48
Commercial Door Operator	49
Garage Door Opener	50

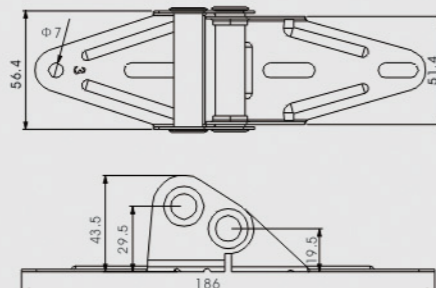
Hinge&Door Bracket Series



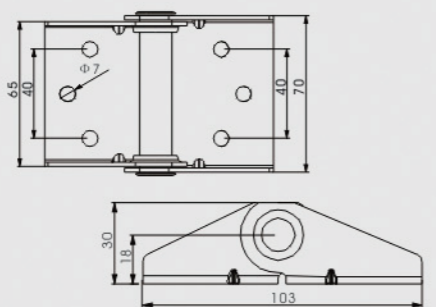
EN-NH-H10001
DEC:1#Hinge
Material:Zinc
Plating
Thickness:1.2mm



EN-NH-H10002
DEC:2#Hinge
Material:Zinc
Plating
Thickness:1.2mm

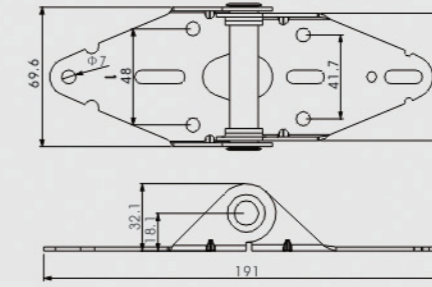


EN-NH-H10003
DEC:3#Hinge
Material:Zinc
Plating
Thickness:1.2mm

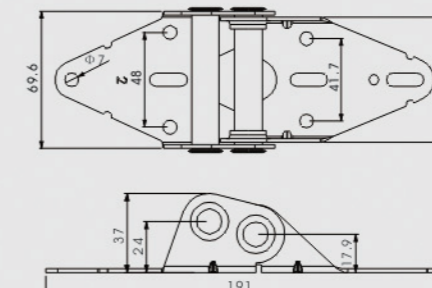


EN-NH-H10005
DEC:0#Hinge
Material:Zinc Plating
Thickness:1.8mm

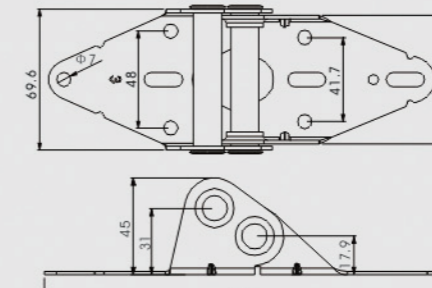
Hinge&Door Bracket Series



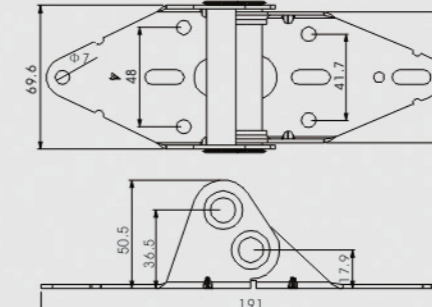
EN-NH-H10006
DEC:1#Hinge
Material:Zinc Plating
Thickness:1.8mm/2.0mm



EN-NH-H10007
DEC:2#Hinge
Material:Zinc Plating
Thickness:1.8mm/2.0mm

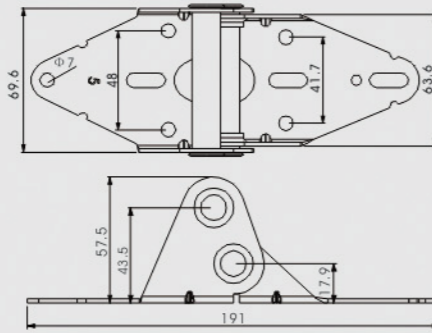


EN-NH-H10008
DEC:3#Hinge
Material:Zinc Plating
Thickness:1.8mm/2.0mm

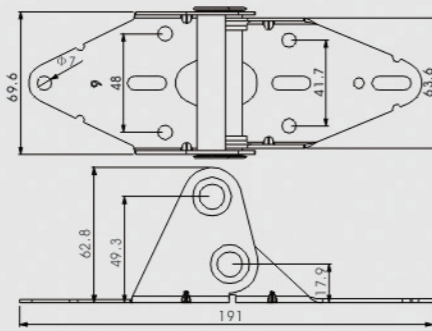
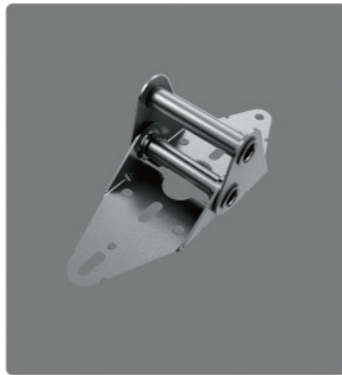


EN-NH-H10009
DEC:4#Hinge
Material:Zinc Plating
Thickness:1.8mm/2.0mm

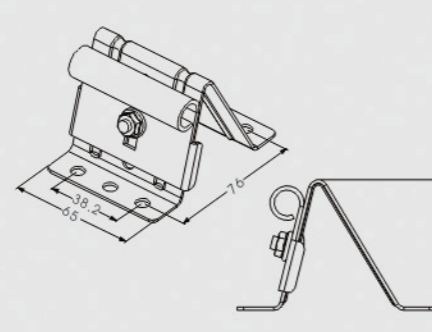
Hinge&Door Bracket Series



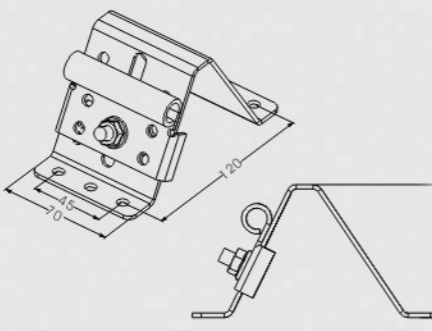
EN-NH-H10010
DEC:5#Hinge
Material:Zinc Plating
Thickness:1.8mm/2.0mm



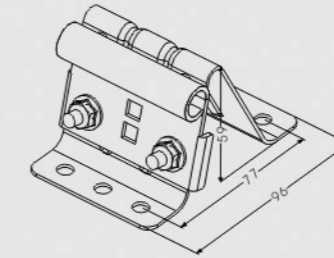
EN-NH-H10011
DEC:6#Hinge
Material:Zinc Plating
Thickness:1.8mm/2.0mm



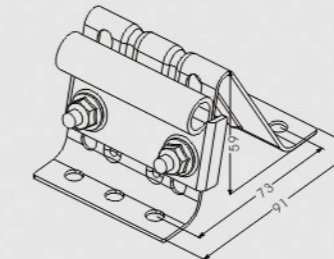
EN-NH-H10012
DEC:Residential Top Bracket
Material:Zinc Plating
Thickness:1.25mm
The Thickness of
Roller Carrier:2.0mm



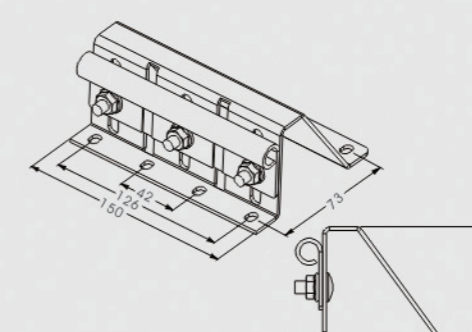
EN-NH-H10014
DEC:Industrial Top Bracket
Material:Zinc Plating
Thickness:2.3mm



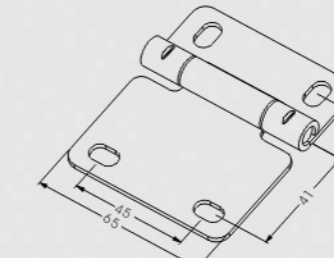
EN-NH-H10015
DEC:Residential op Bracket
Material:Zinc Plating
Thickness:1.5mm
The Thickness of
Roller Carrier:2.0mm



EN-NH-H10016
DEC:Residential Top Bracket
Material:Zinc Plating
Thickness:1.5mm
The Thickness of
Roller Carrier:2.0mm

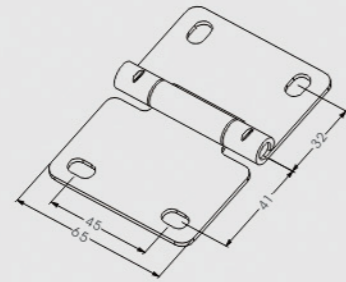


EN-NH-H10017
DEC:Industrial top Bracket
Material:Zinc Plating
Thickness:2.5mm

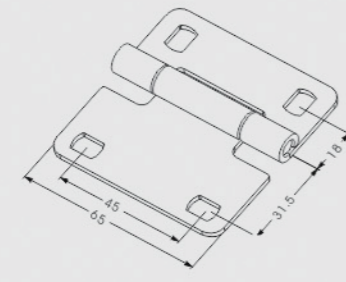


EN-NH-H20002
DEC:Industrial top Bracket
Material:Zinc Plating
Thickness:One Side is 2.0mm
The Other Side is 2.5mm

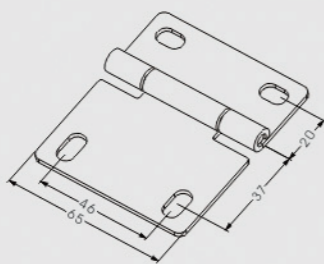
Hinge&Door Bracket Series



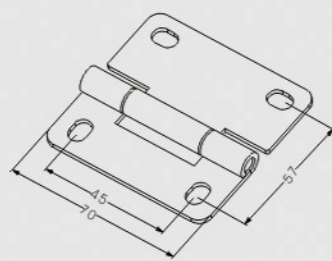
EN-NH-H20003
DEC:Center Hinge
Material:Zinc Plating
Thickness:One Side is 2.0mm,
The Other Side is 2.5mm



EN-NH-H20004
DEC:Center Hinge
Material:Zinc Plating
Thickness:2.5mm

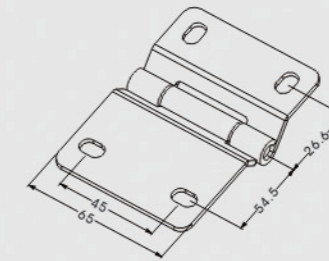


EN-NH-H20005
DEC:Center Hinge
Material:Zinc Plating
Thickness:2.0mm

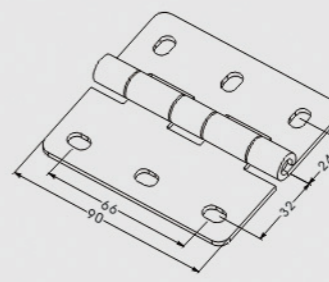


EN-NH-H20007
DEC:Center Hinge
Material:Zinc Plating
Thickness:2.5mm

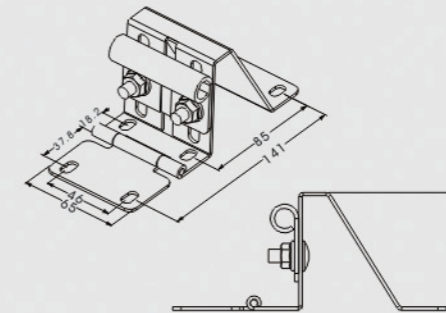
Hinge&Door Bracket Series



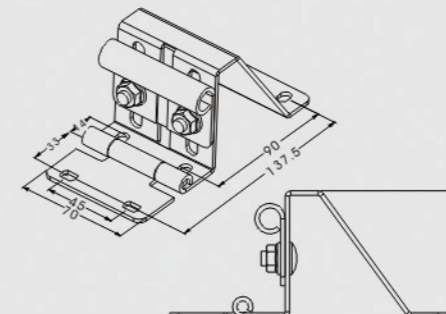
EN-NH-H20008
DEC:Center Hinge
Material:Zinc Plating
Thickness:2.3mm



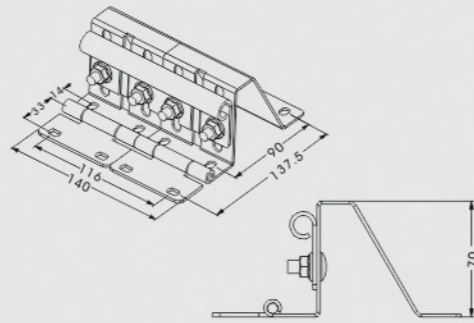
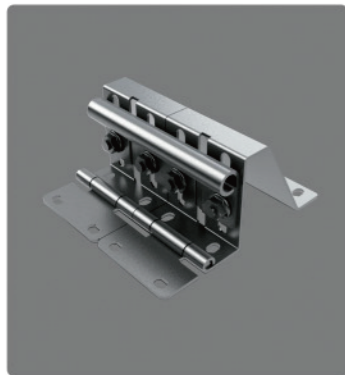
EN-NH-H20009
DEC:Center Hinge
Material:Zinc Plating
Thickness:2.5mm



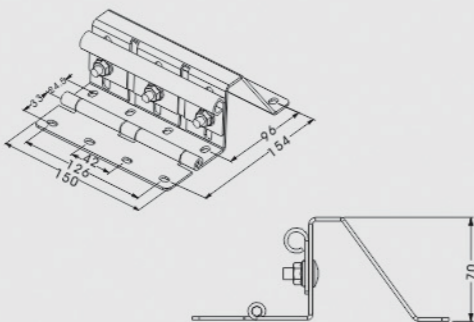
EN-NH-H20010
DEC:Side Hinge
Material:Zinc Plating
Thickness:2.0mm



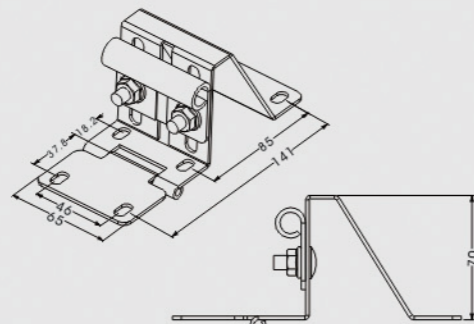
EN-NH-H20011
DEC:Side Hinge
Material:Zinc Plating
Thickness:2.5mm



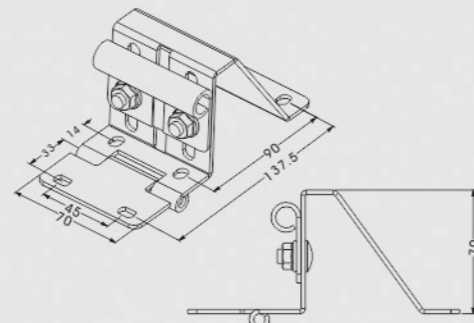
EN-NH-H20012
DEC:Double Side Hinge
Material:Zinc Plating
Thickness:2.5mm



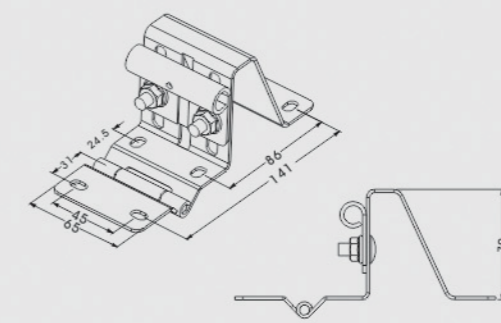
EN-NH-H20013
DEC:Double Side Hinge
Material:Zinc Plating
Thickness:2.5mm



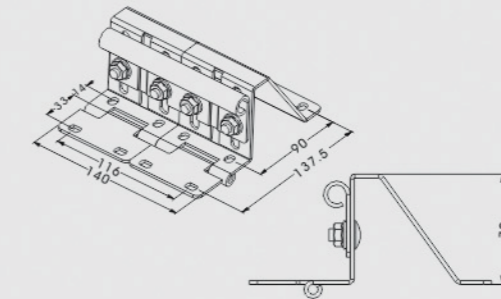
EN-NH-H20014
DEC:Hand-pinching
Prevention Side Hinge
Material:Zinc Plating
Thickness:2.0mm



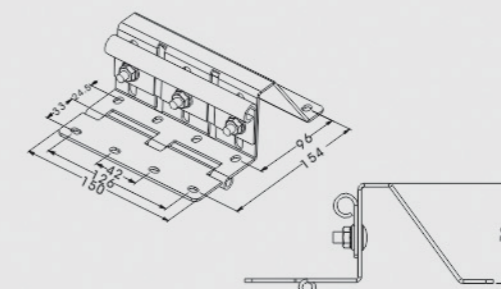
EN-NH-H20015
DEC:Hand-pinching
Prevention Side Hinge
Material:Zinc Plating
Thickness:2.5mm



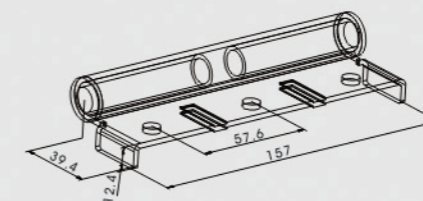
EN-NH-H20016
DEC:Hand-pinching
Prevention Side Hinge
Material:Zinc Plating
Thickness:2.3mm



EN-NH-H20017
DEC:Double Hand-pinching
Prevention Side Hinge
Material:Zinc Plating
Thickness:2.5mm

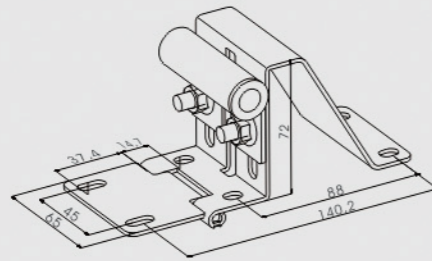
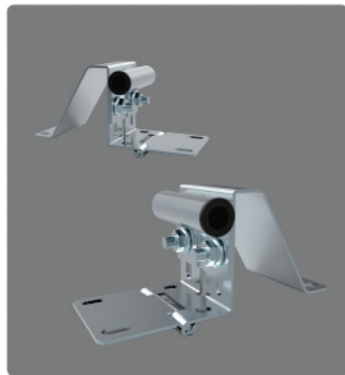


EN-NH-H20018
DEC:Double Hand-pinching
Prevention Side Hinge
Material:Zinc Plating
Thickness:2.5mm

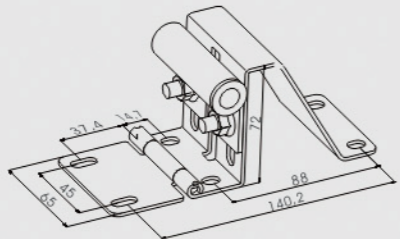


EN-NH-H20019
DEC:Roller carrier
Material:Zinc Plating
Thickness:2.5mm

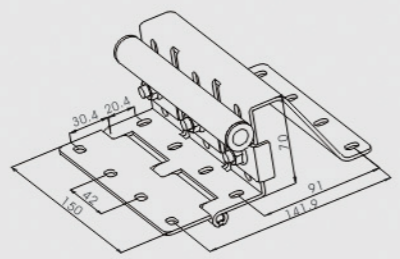
Hinge&Door Bracket Series



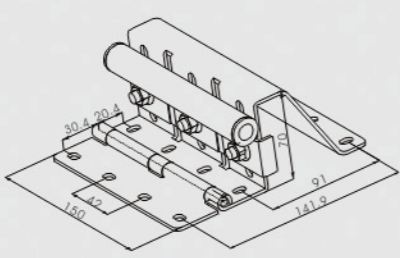
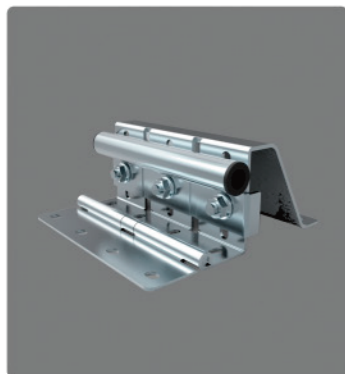
EN-NH-H20020
DEC:Hand-pinching prevention
Side Hinge with plastic tube
Material:Zinc Plating
Thickness:2.0mm
Unit:Pair



EN-NH-H20021
DEC:Side Hinge with
plastic tube
Material:Zinc Plating
Thickness:2.0mm
Unit:Pair

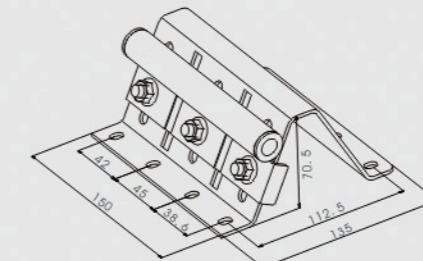


EN-NH-H20022
DEC:Double Hand-pinching
prevention side Hinge with
plastic tube
Material:Zinc Plating
Thickness:2.5mm

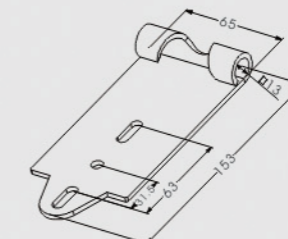


EN-NH-H20023
DEC:Double Side Hinge
with plastic tube
Material:Zinc Plating
Thickness:2.5mm

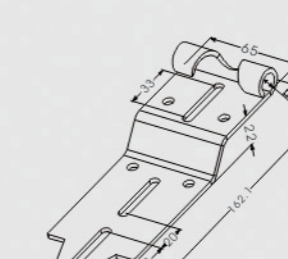
Hinge&Door Bracket Series



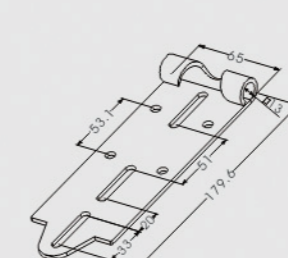
EN-NH-H20024
DEC:Industrial Top Bracket
with plastic tube
Material:Zinc Plating
Thickness:2.5mm



EN-NH-H30001
DEC:Double Track
Top Bracket
Material:Zinc Plating
Thickness:3.0mm

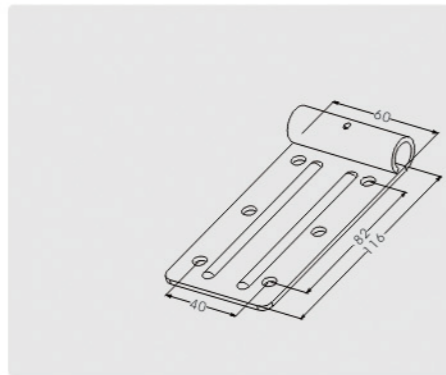


EN-NH-H30002
DEC:Lengthen Double Track
Top Bracket
Material:Zinc Plating
Thickness:3.0mm

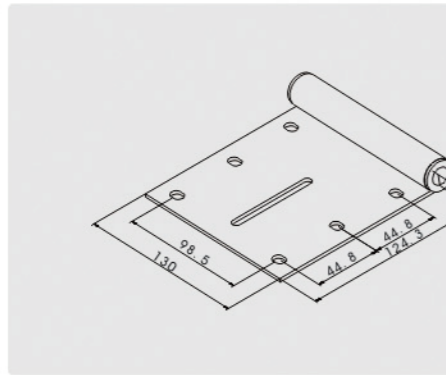


EN-NH-H30003
DEC:Lengthen Double Track
Top Bracket
Material:Zinc Plating
Thickness:3.0mm

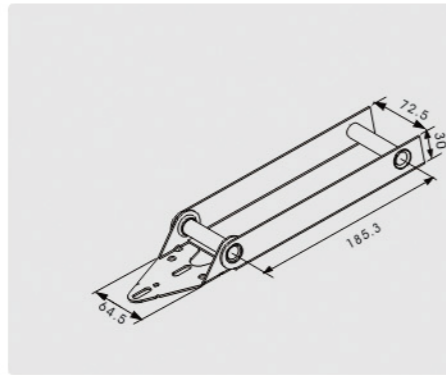
Hinge&Door Bracket Series



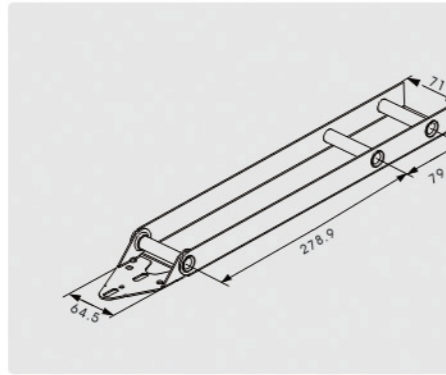
EN-NH-H30004
DEC:Residential Top Bracket
Material:Zinc Plating
Thickness:2.5mm



EN-NH-H30005
DEC:Residential Top Bracket
Material:Zinc Plating
Thickness:2.5mm

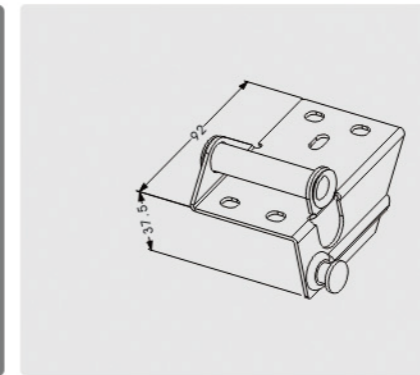


EN-NH-H30006
DEC:Angle
Material:Zinc Plating
Thickness:2.0mm

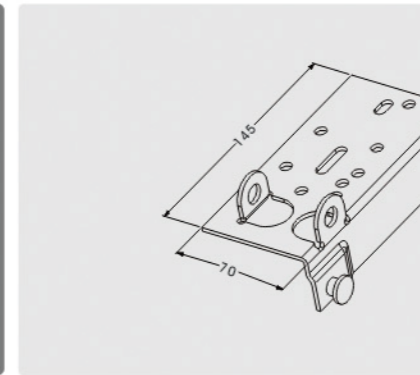


EN-NH-H30007
DEC:Joint Angle
Material:Zinc Plating
Thickness:2.0mm

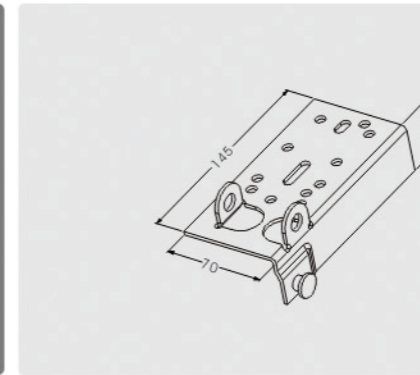
Hinge&Door Bracket Series



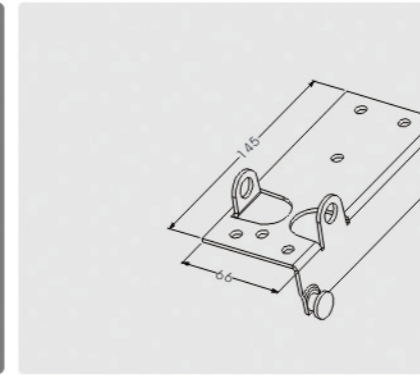
EN-NH-H40001
DEC:Residential Top Bracket
Material:Zinc Plating
Thickness:1.8mm
Unit:Pair



EN-NH-H40002
DEC:Bottom Bracket
Material:Zinc Plating
Thickness:2.0mm
Unit:Pair

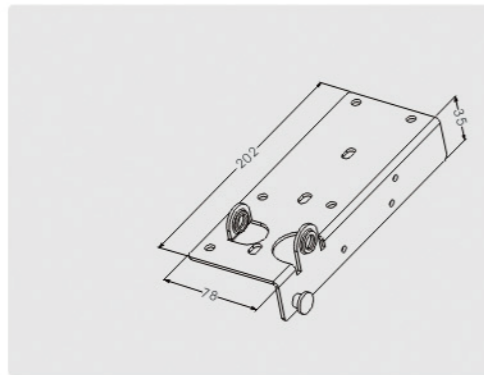


EN-NH-H40003
DEC:Top Bracket
Material:Zinc Plating
Thickness:2.3mm
Unit:Pair

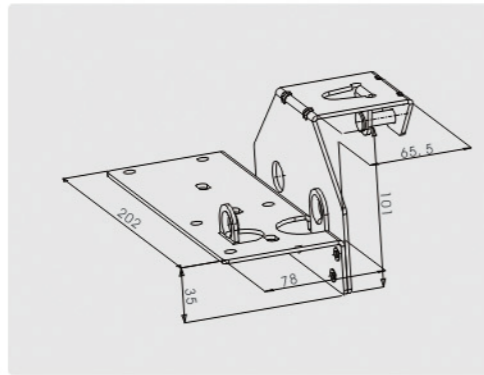
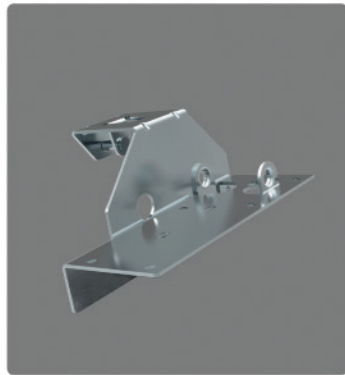


EN-NH-H40004
DEC:Top Bracket
Material:Zinc Plating
Thickness:2.0/2.3/2.5mm
Unit:Pair

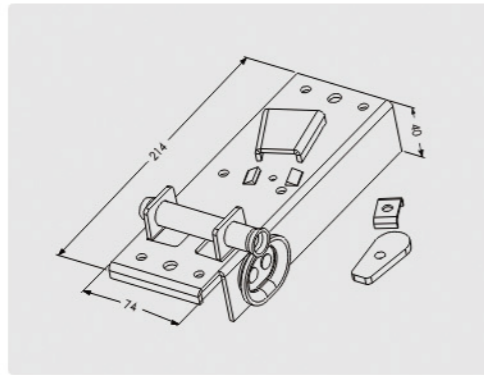
Hinge&Door Bracket Series



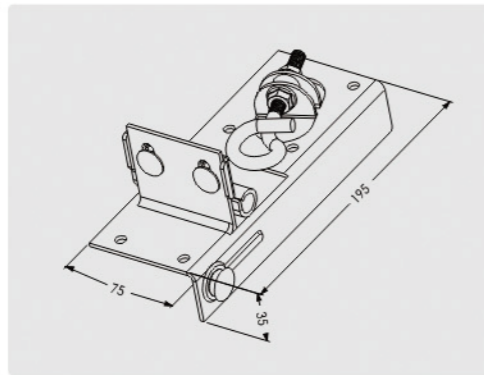
EN-NH-H40005
DEC:Commercial Bottom Bracket
Material:Zinc Plating
Thickness:2.5mm
Unit:Pair



EN-NH-H40006
DEC:Industrial Bottom Bracket
Material:Zinc Plating
Thickness:Base Plate is 2.5mm
The Back Plate is 3.0mm
Unit:Pair

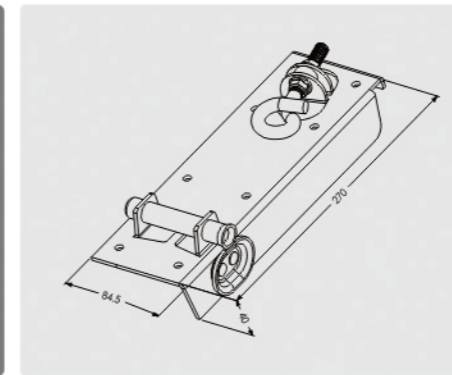


EN-NH-H40007
DEC:Industrial Bottom Bracket
Material:Zinc Plating
Thickness: 2.5mm
Thickness of Tube:1.8mm
Unit:Pair

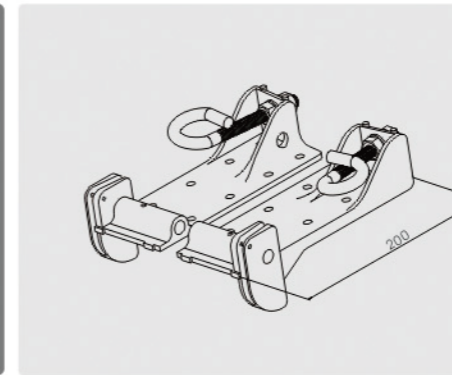


EN-NH-H40008
DEC:Industrial Bottom Bracket
Material:Zinc Plating
Thickness: 2.5mm
Unit:Pair

Hinge&Door Bracket Series



EN-NH-H40009
DEC:Industrial Bottom Bracket
Material:Zinc Plating
Thickness:3.0mm
Thickness of Tube:1.8mm
Unit:Pair



EN-NH-H40010
DEC:Aluminum Adjustable Bottom Bracket
Material:Aluminum
Unit:Pair

Bracket Series



Item	A1	B1
A	76.7	63.5
B	83.1	69.9
C	89.4	76.2
D	95.8	82.6
E	102.1	88.9
F	108.5	95.3
G	114.8	101.6
H	121.2	108.0
I	127.5	114.3

EN-NH-B10001 A/B/C/D/E/F/G/H/I
DEC:Side Bracket
Material:Zinc Plating
Thickness:2.5mm
Length:A76.7/B83.1/C89.4
/D95.8/E102.1/F108.5/G114.8
/H121.2/I127.5(mm)



Item	Specification	A1
A	Q235/T=2.5	76MM
B	Q235/T=2.5	93MM
C	Q235/T=2.5	104MM
D	Q235/T=2.5	115MM
E	Q235/T=3.0	165MM
F	Q235/T=3.0	180MM

EN-NH-B10002 A/B/C/D/E/F
DEC:Side Bracket
Material:Zinc Plating
Thickness:2.5mm
Length:A76/B93/C104
/D115/E165/F180(mm)



EN-NH-B10003 A/B/C
DEC:Side Bracket
Material:Zinc Plating
Thickness:3.0mm



EN-NH-B20001
DEC:Adjustable Bracket For
Spring Break Device
Material:Zinc Plating
Thickness:4.0mm

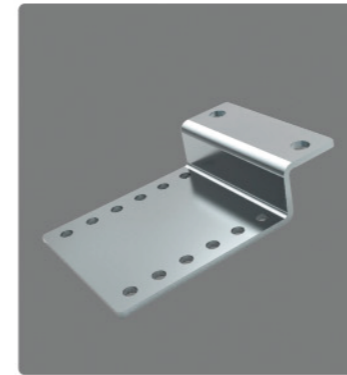
Bracket Series



EN-NH-B20002
DEC:Adjustable Bracket For
Spring Break Plating
Material:Zinc Plating
Thickness:4.0mm



EN-NH-B20003
DEC:Adjustable Bracket For
Spring Break Plating
Material:Zinc Plating
Thickness:4.0mm

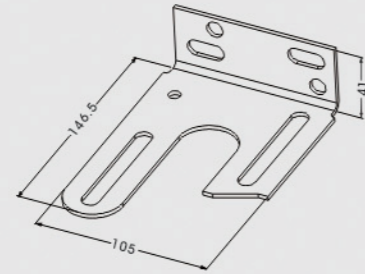


EN-NH-B20004
DEC:Plate buffer Bracket
Material:Zinc Plating
Thickness:3.75mm

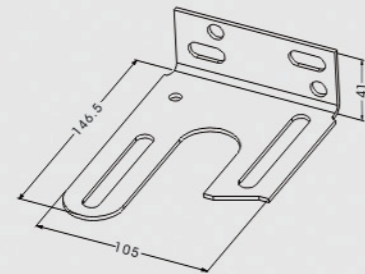


EN-NH-B30001
DEC:Adjustable Bearing
Bracket
Material:Zinc Plating
Thickness:2.5/3.0mm
Unit:Pair

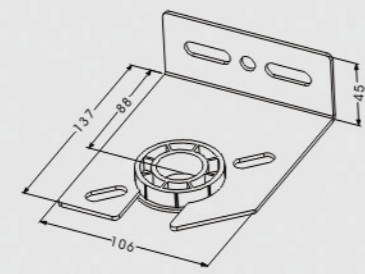
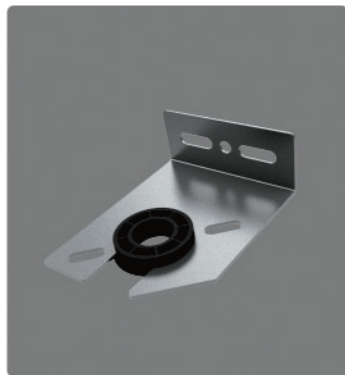
Bracket Series



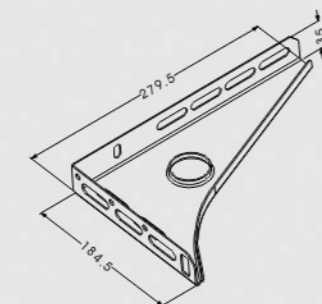
EN-NH-B30002
DEC:Adjustable Bearing Bracket
Material:Zinc Plating
Thickness:2.5mm
Unit:Pair



EN-NH-B30003
DEC:Adjustable Bearing Bracket
Material:Galvanize
Thickness:3.0mm
Unit:Pair

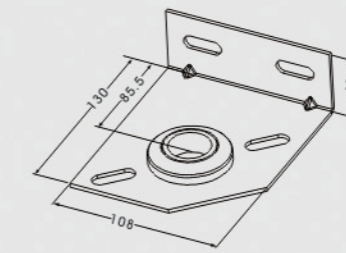


EN-NH-B30004
DEC:Adjustable Bearing Bracket
Material:Zinc Plating
Thickness:2.5mm
Unit:Pair

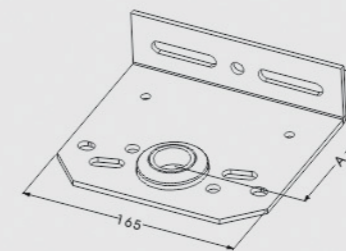
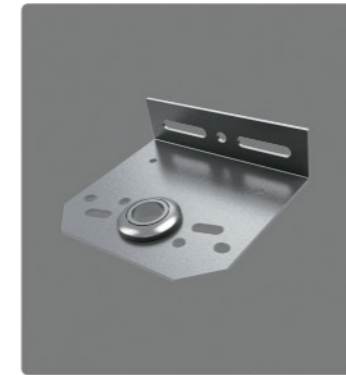


EN-NH-B40001
DEC:Installation triangle A type
Material:Zinc Plating
Thickness:1.5mm
Unit:Pair

Bracket Series

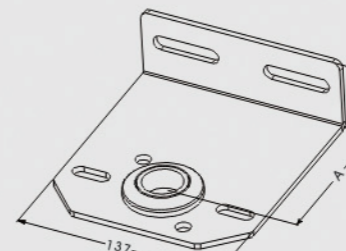


EN-NH-B50001
DEC:Bearing Bracket
Material:Zinc Plating
Thickness:2.5mm
Unit:Pair



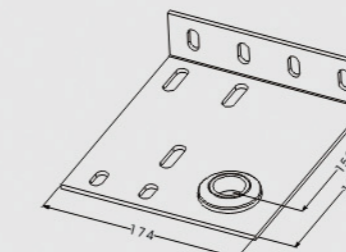
Item	A
A	83
B	105
C	110
D	123
E	148
F	152
G	185

EN-NH-B50003A/B/C/D/E/F/G
DEC:Bearing Bracket
Material:Zinc Plating
Thickness:4.0mm
Length:A83/B105/C110/D123
/E148/F152/G185(mm)
Unit:Pair



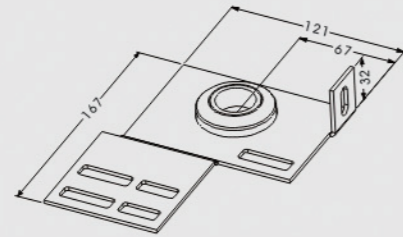
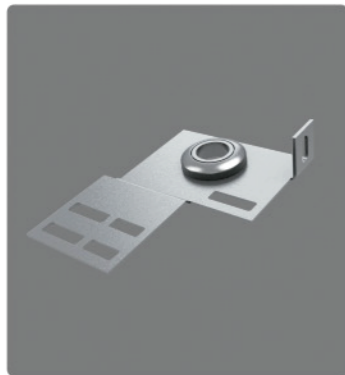
Item	A1
A	86
B	111
C	127
D	152

EN-NH-B50004 A/B/C/D
DEC:Bearing Bracket
Material:Zinc Plating
Thickness:4.0mm
Length:A86/B111/C127
/D152(mm)
Unit:Pair

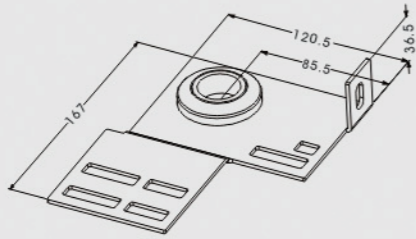
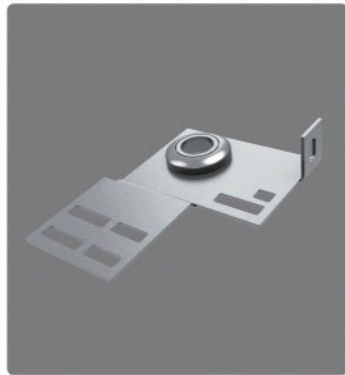


EN-NH-B50005
DEC:Bearing Bracket
Material:Zinc Plating
Thickness:4.0mm
Unit:Pair

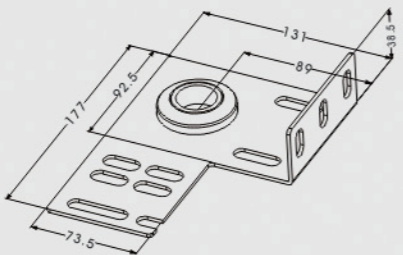
Bracket Series



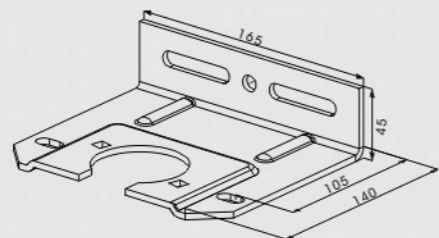
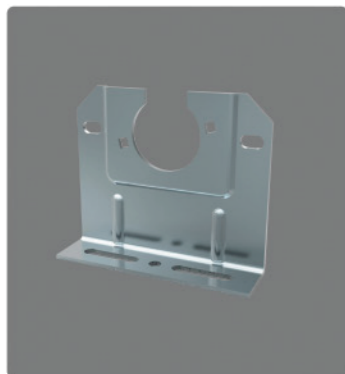
EN-NH-B50006
DEC: Bearing Bracket
Material: Zinc Plating
Thickness: 2.5mm
Unit: Pair



EN-NH-B50007
DEC: Bearing Bracket
Material: Zinc Plating
Thickness: 2.5mm
Unit: Pair

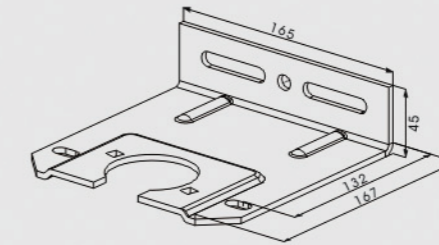


EN-NH-B50008
DEC: Bearing Bracket
Material: Zinc Plating
Thickness: 2.5mm
Unit: Pair

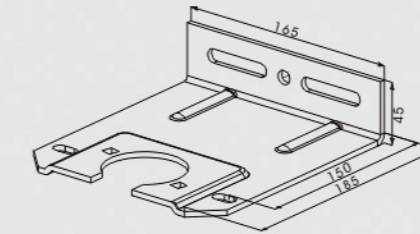


EN-NH-B50009
DEC: Bearing Bracket
Material: Zinc Plating
Thickness: 3.75mm

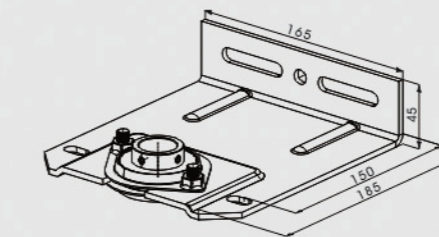
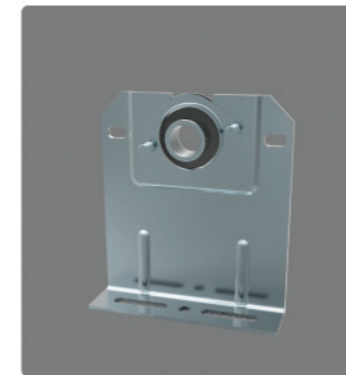
Bracket Series



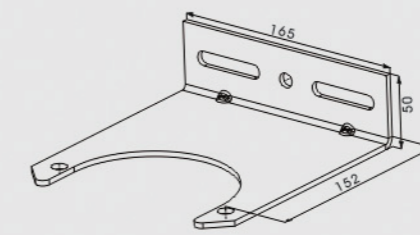
EN-NH-B50010
DEC: Bracket
Material: Zinc Plating
Thickness: 3.75mm



EN-NH-B50011
DEC: Bracket
Material: Zinc Plating
Thickness: 3.75mm

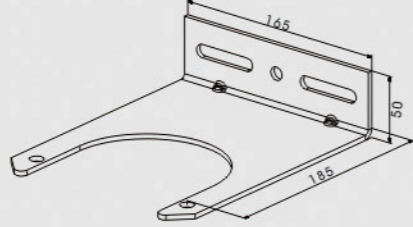


EN-NH-B50012
DEC: Bracket
Material: Zinc Plating
Thickness: 3.75mm

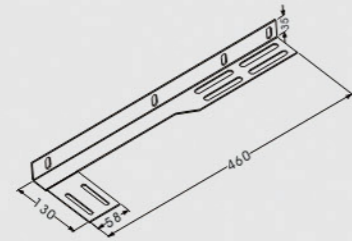


EN-NH-B50013
DEC: Spring Bracket
Material: Zinc Plating
Thickness: 3.75mm

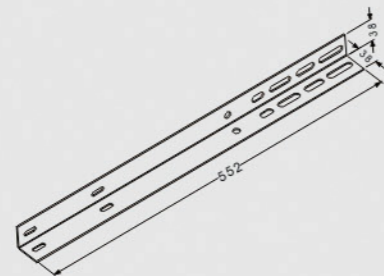
Bracket Series



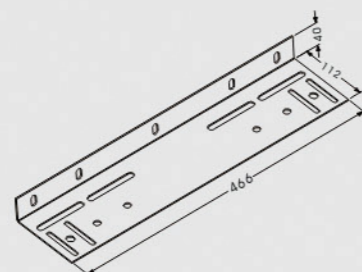
EN-NH-B50014
DEC:Spring Bracket
Material:Zinc Plating
Thickness:3.75mm



EN-NH-B60001
DEC:Flag-Bracket
Material:Zinc Plating
Thickness:2.0mm
Unit:Pair

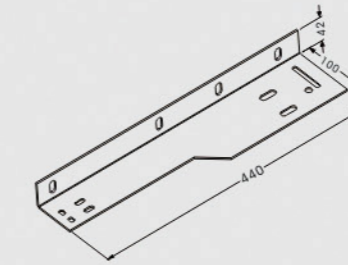


EN-NH-B60002
DEC:Joint Bracket
Material:Zinc Plating
Thickness:2.3mm

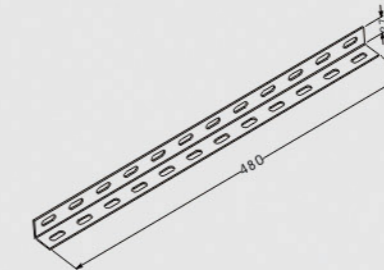


EN-LM-B60003
品名:工业链接角铁
DEC:Joint Bracket
Material:Zinc Plating
Thickness: 2.0mm

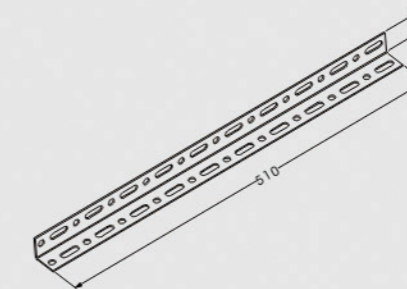
Bracket Series



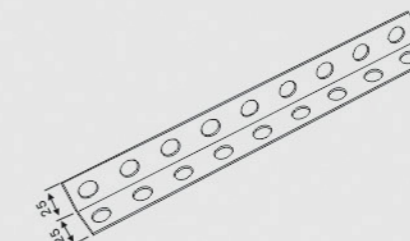
EN-NH-B60004
DEC:Joint Bracket
Material:Zinc Plating
Thickness:2.5mm
Unit:Pair



EN-NH-B60005
DEC:Joint Bracket
Material:Zinc Plating
Thickness:2.0mm

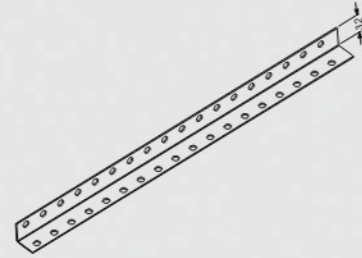


EN-NH-B60006
DEC:Joint Bracket
Material:Zinc Plating
Thickness:1.5/2.0mm

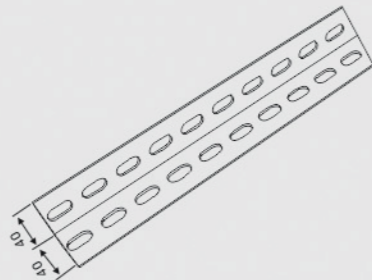
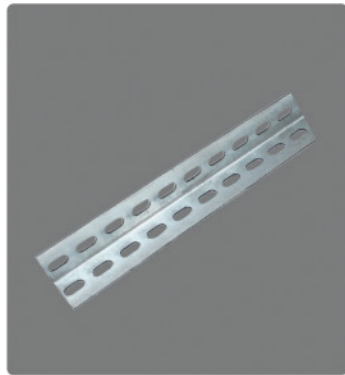


EN-NH-B60007
DEC:Joint Bracket
Material:Zinc Plating
Thickness:1.8mm

Bracket Series

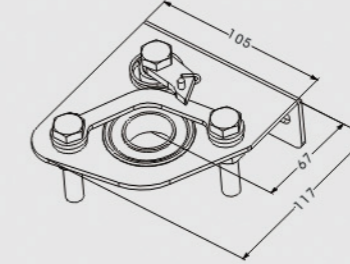


EN-NH-B60008
DEC:Joint Bracket
Material:Zinc Plating
Thickness:1.5/2.0mm

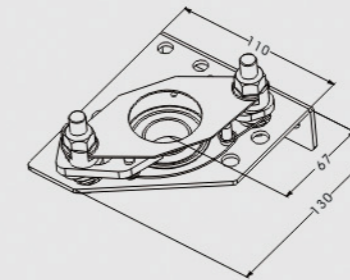


EN-NH-B60009
DEC:Joint Bracket
Material:Zinc Plating
Thickness:2.5mm

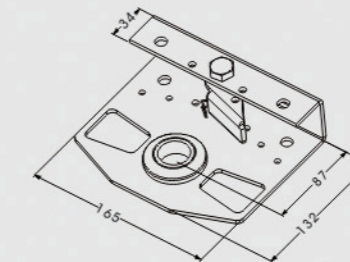
Safety Device Series



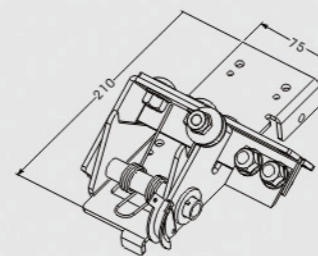
EN-NH-S10001
DEC:Spring Break Device
Work with 2" Spring Fitting
Unit:Pair



EN-NH-S10002
DEC:Spring Break Device
Work with 25/8" Spring Fitting
Unit:Pair

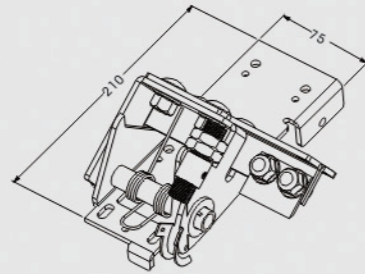


EN-NH-S10004 A/B
DEC:Spring Break Device
Work with 3 3/4" Spring Fitting
Unit:Pair

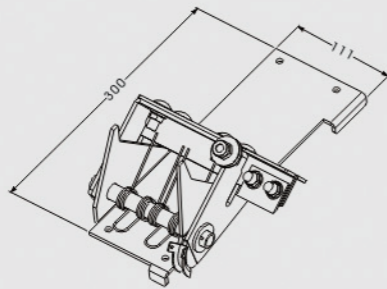
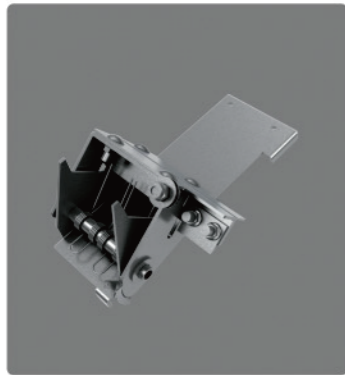


EN-NH-S20001
DEC:2" Unadjustable Safe
Cable Device
Material:Zinc Plating
Use for 2" Tracks
Unit:Pair

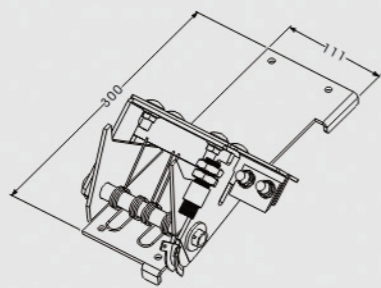
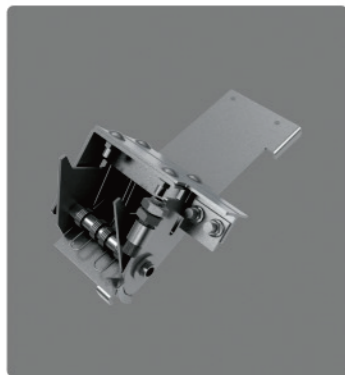
Safety Device Series



EN-NH-S20002
DEC:Adjustable Safe
Cable Device
Material:Zinc Plating
Use for 2" Tracks
Unit:Pair

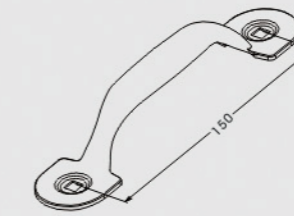


EN-NH-S20003
DEC:3" Unadjustable Safe
Cable Device
Material:Zinc Plating
Use for 3" Tracks
Unit:Pair

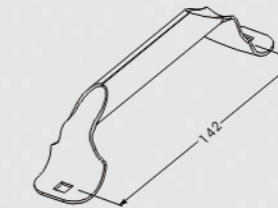


EN-NH-S20004
DEC:3" Adjustable Safe
Cable Device
Material:Zinc Plating
Use for 3" Tracks
Unit:Pair

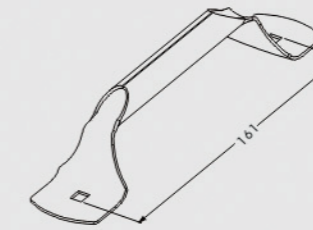
Lift Handle Series



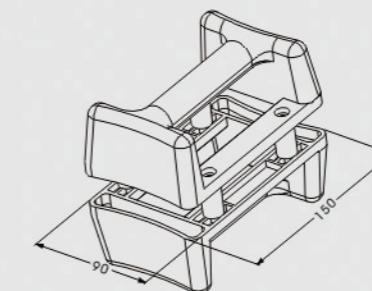
EN-NH-LH10001
DEC:Round Head Lift Handle
Material:Zinc Plating



EN-NH-LH10002
DEC:Morden Lift Handle
Material:Zinc Plating



EN-NH-LH10003
DEC:Big Lift Handle
Material:Zinc Plating

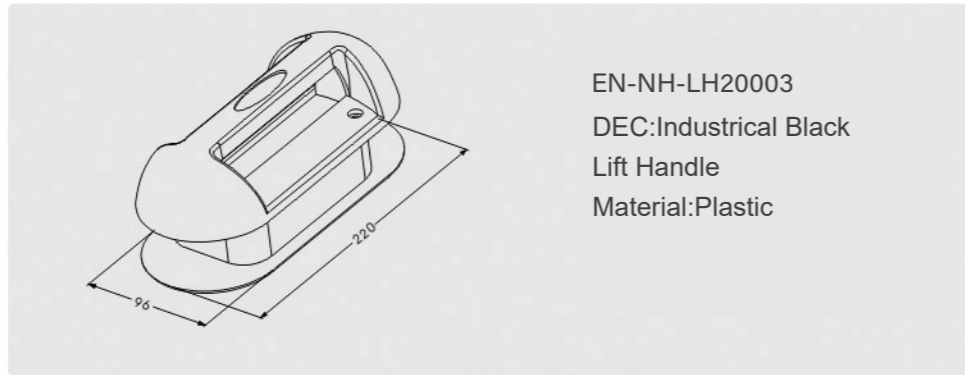


EN-NH-LH20001
DEC:Industrial Black
Lift Handle
Material:Plastic

Lift Handle Series



EN-NH-LH20002
DEC:Industrial Black
Lift Handle
Material:Plastic

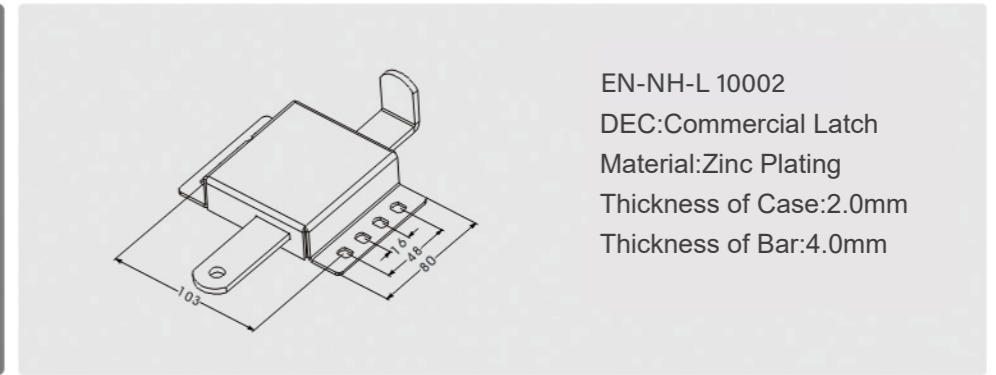


EN-NH-LH20003
DEC:Industrial Black
Lift Handle
Material:Plastic

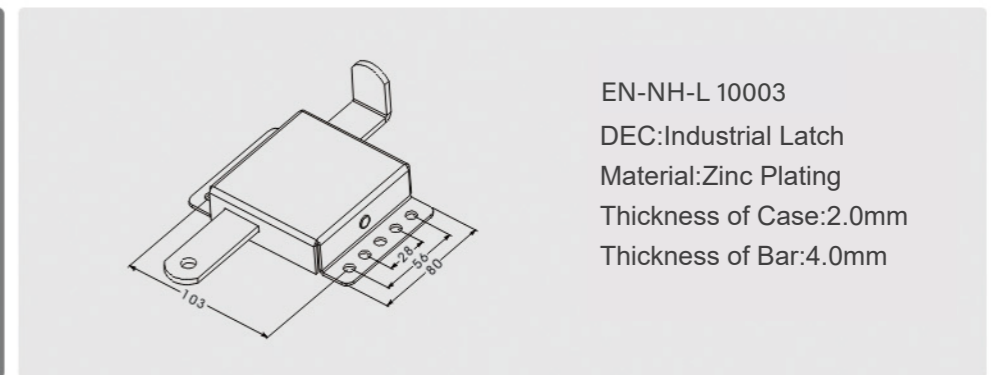
Latch Series



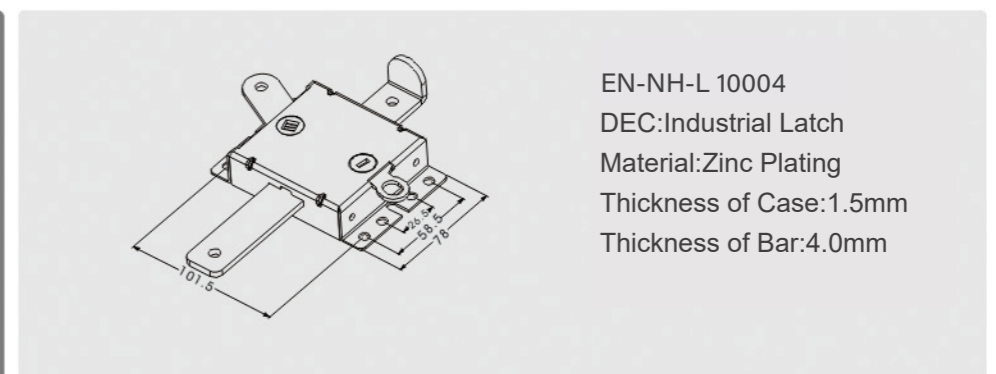
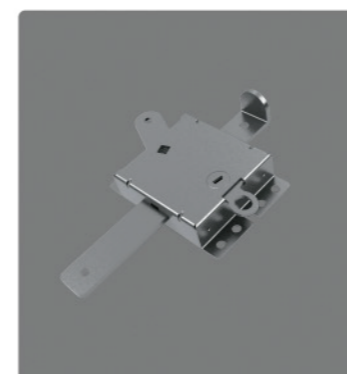
EN-NH-L 10001
DEC:Residential Latch
Material:Zinc Plating
Thickness of Case:1.5mm
Thickness of Bar:4.0mm



EN-NH-L 10002
DEC:Commercial Latch
Material:Zinc Plating
Thickness of Case:2.0mm
Thickness of Bar:4.0mm

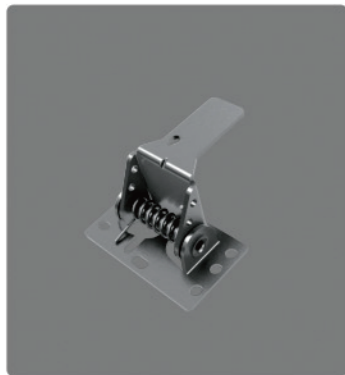


EN-NH-L 10003
DEC:Industrial Latch
Material:Zinc Plating
Thickness of Case:2.0mm
Thickness of Bar:4.0mm

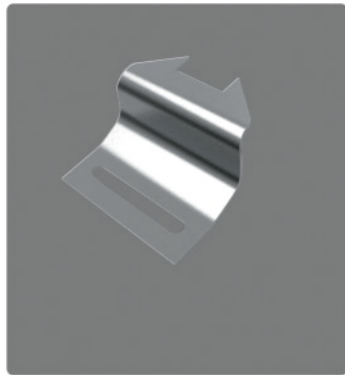


EN-NH-L 10004
DEC:Industrial Latch
Material:Zinc Plating
Thickness of Case:1.5mm
Thickness of Bar:4.0mm

Latch Series



EN-NH-L 10006
DEC:Autolatch
Material:Zinc Plating
Thickness of Case:2.3mm
Thickness of Arm:2.75mm



EN-NH-L 10007
DEC:Autolatch Striker
Material:Zinc Plating
Thickness:2mm
Hole Size:7*61mm

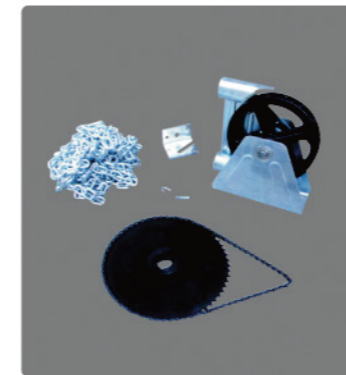
Chain Hoist Series



EN-NH-CH 10001
DEC:4006 Chain Hoist
Gear Ratio:4:1
Parts:
(1)41 B 36 sprocket,1"bore
(2)36" of 41#roller chain
(3)26' of hand chain
(4)Chain keeper
(5)1/4"*1/4"1 3/8 square key



EN-NH-CH 10002
DEC:4000 Chain Hoist
Gear Ratio:1:1
Parts:
(1)26' of hand chain
(2)Chain keeper
(3)shaft collars
(4)1/4" square key

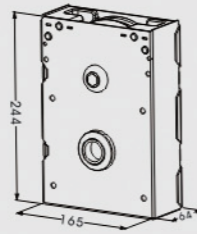


EN-NH-CH 10003
DEC:4015 Chain Hoist
Gear Ratio:6.6:1
Parts:
(1)41 B 60 sprocket,1"bore
(2)48" of 41# roller chain
(3)26' of hand chain
(4)Chain keeper
(5) 1/4"*1/4"1 3/8 square key



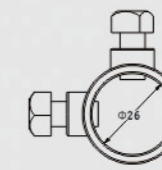
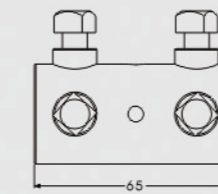
EN-NH-CH 10004
DEC:4020 Chain Hoist
Gear Ratio:4:1
Parts:
(1)41 B 36 sprocket,1"bore
(2)22" of 41# roller chain
(3)26' of hand chain
(4)Chain keeper
(5) 1/4"*1/4"1 3/8 square key

Chain Hoist Series

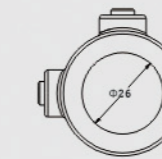
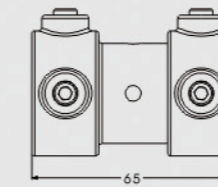


EN-NH-CH 10005
DEC:Chain Hoist
Gear Ratio:4:1
Parts:
(1)41 B 36 sprocket,1"bore
(2)36" of 41#roller chain
(3)26' of hand chain
(4)Chain keeper
(5)1/4"*1/4" 1 3/8 square key

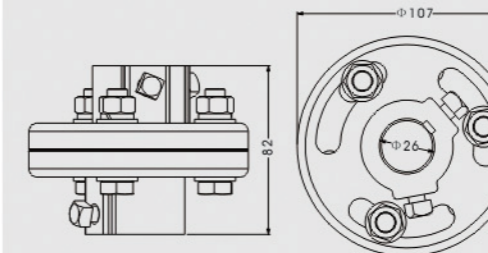
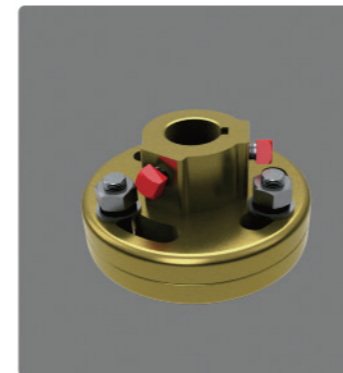
Coupler Series



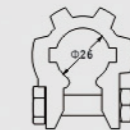
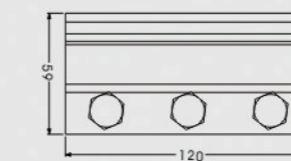
EN-NH-C 10001
DEC:Shaft Coupler
Material:Lron Tube
Thickness:Black Zinc Plating
Include Screw



EN-NH-C 10002
DEC:Shaft Coupler
Material:Aluminum
Include Screw

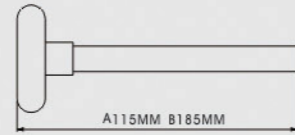


EN-NH-C 10004
DEC:Shaft Coupler
Material:Cast Iron
Finish:Spray Paint
Include Screw

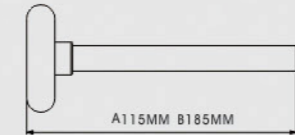


EN-NH-C 10005
DEC:Shaft Coupler
Material:Aluminum
Include Screw

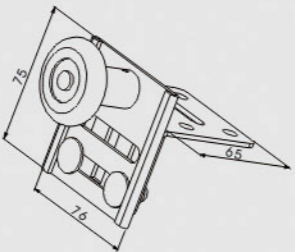
Roller Series



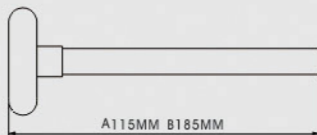
EN-NH-R10001 A/B
DEC:Nylon Roller
Material:Nylon,Carbon Steel
Suitable for 2" Track



EN-NH-R10002 A/B
DEC:Nylon Roller
Material:Nylon,Carbon Steel
Suitable for 2" Track
Include Bearing

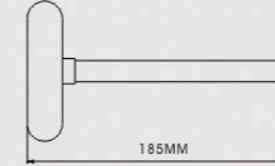


EN-NH-R10003
DEC:Nylon Roller
Material:Nylon,Zinc Plating

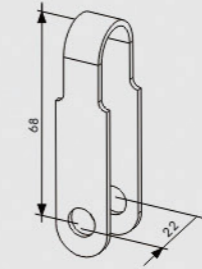


EN-NH-R20001 A/B
DEC:Steel Roller
Material:Nylon, Carbon Steel
Suitable for 2" Track

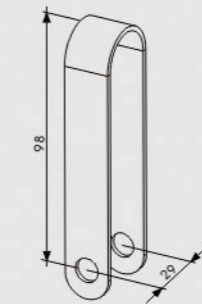
Roller Series



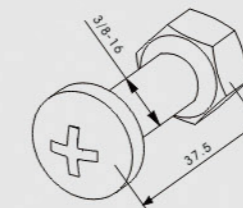
EN-NH-R20002
DEC:Steel Roller
Material:Nylon,Carbon Steel
Suitable for 3" Track



EN-NH-R30001
DEC:3" Pulley Clamp
Material:Zinc Plating
Thickness:1.8mm

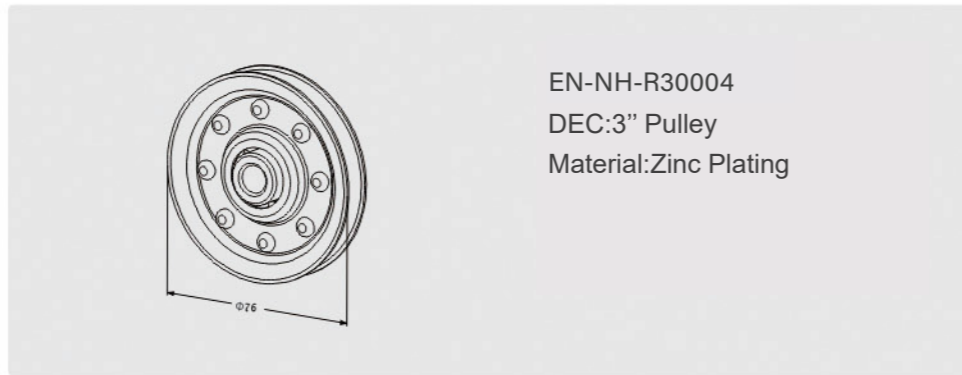


EN-NH-R30002
DEC:4" Pulley Clamp
Material:Zinc Plating
Thickness:2.75mm

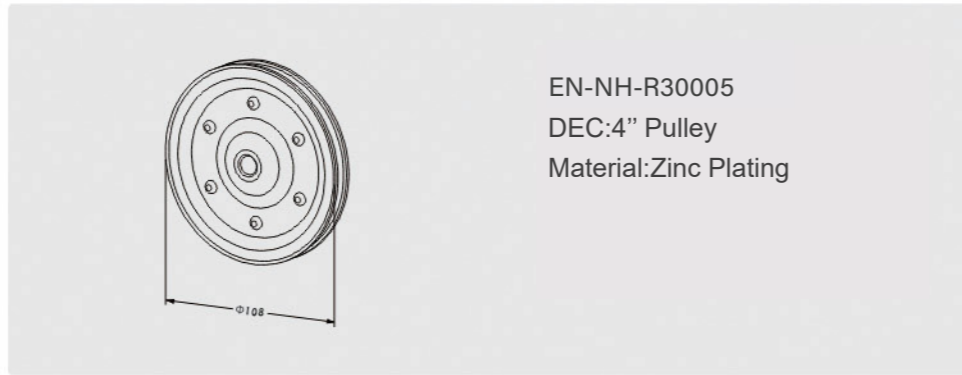


EN-NH-R30003
DEC:3/8-16 Screw and Nut
Material:Zinc Plating

Roller Series



EN-NH-R30004
DEC:3" Pulley
Material:Zinc Plating



EN-NH-R30005
DEC:4" Pulley
Material:Zinc Plating

Cable Drum Series



EN-NH-CD10001
DEC:8" Pulley
Maximum Door Height:2440mm
Maximum Door Werght:240kg
Maximum Cable Diameter:1/8"
Diameter Shaft:1"
Unit:Pair



EN-NH-CD10002
DEC:9" Pulley
Maximum Door Height:2740mm
Maximum Door Werght:250kg
Maximum Cable Diameter:1/8"
Diameter Shaft:1"
Unit:Pair

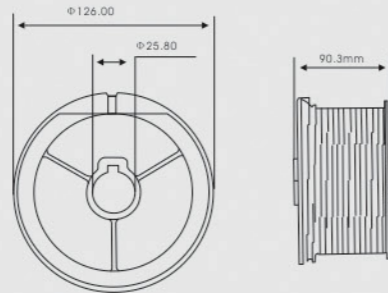


EN-NH-CD10003
DEC:11" Pulley
Maximum Door Height:3352mm
Maximum Door Werght:260kg
Maximum Cable Diameter:1/8"
Diameter Shaft:1"
Unit:Pair

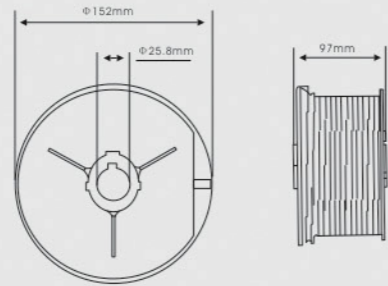
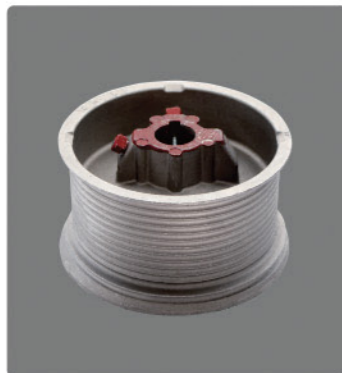


EN-NH-CD10004
DEC:12" Pulley
Maximum Door Height:3650mm
Maximum Door Werght:340kg
Maximum Cable Diameter:5/32"
Diameter Shaft:1"
Unit:Pair

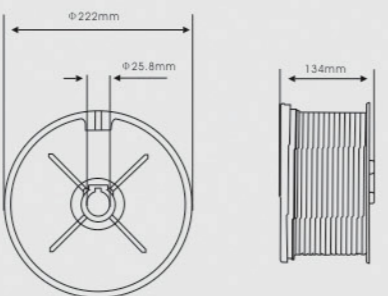
Cable Drum Series



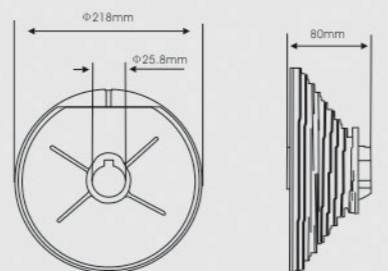
EN-NH-CD10005
DEC:13" Pulley
Maximum Door Height:3965mm
Maximum Door Werght:340kg
Maximum Cable Diameter:5/32"
Diameter Shaft:1"
Unit:Pair



EN-NH-CD10006
DEC:18" Pulley
Maximum Door Height:5500mm
Maximum Door Werght:680kg
Maximum Cable Diameter:3/16"
Diameter Shaft:1"
Unit:Pair

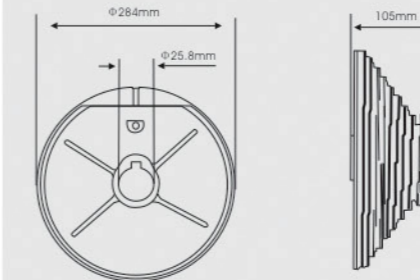


EN-NH-CD10007
DEC:32" Pulley
Maximum Door Height:9750mm
Maximum Door Werght:700kg
Maximum Cable Diameter:1/4"
Diameter Shaft:1"
Unit:Pair

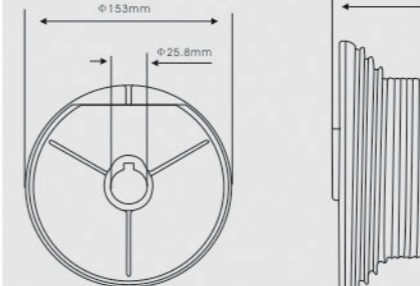


EN-NH-CD20001
DEC:11" Pulley
Maximum Door Height:3350mm
Maximum Door Werght:500kg
Maximum Cable Diameter:3/16"
Diameter Shaft:1"
Unit:Pair

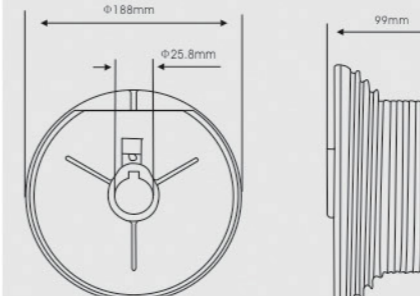
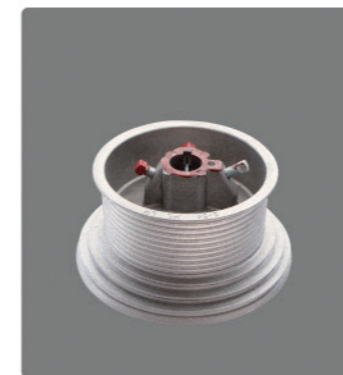
Cable Drum Series



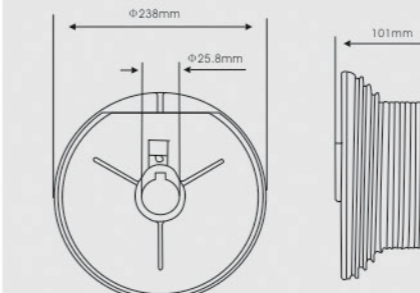
EN-NH-CD20002
DEC:18" Pulley
Maximum Door Height:5480mm
Maximum Door Werght:5000kg
Maximum Cable Diameter:3/16"
Diameter Shaft:1"
Unit:Pair



EN-NH-CD30001
DEC:4-54HL Drum
Maximum Door Height:1375mm
Maximum Door Werght:4275kg
Maximum Cable Diameter:5/32"
Diameter Shaft:1"
Unit:Pair

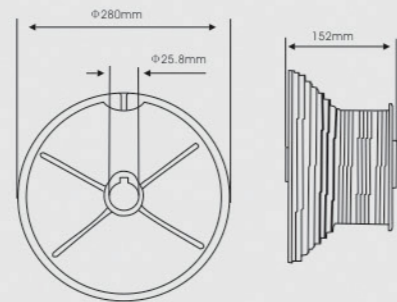


EN-NH-CD30002
DEC:4-54HL Drum
Maximum Hiliift:1370mm
Maximum Door Height:6170mm
Maximum Door Werght:500kg
Maximum Cable Diameter:3/16"
Diameter Shaft:1"
Unit:Pair

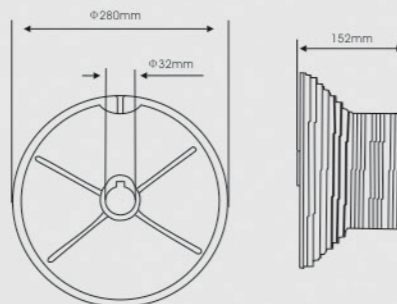


EN-NH-CD30003
DEC:120HL Drum
Maximum Hiliift:3050mm
Maximum Door Height:6860mm
Maximum Door Werght:450kg
Maximum Cable Diameter:3/16"
Diameter Shaft:1"
Unit:Pair

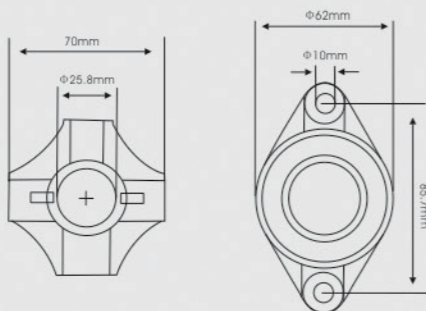
Cable Drum Series



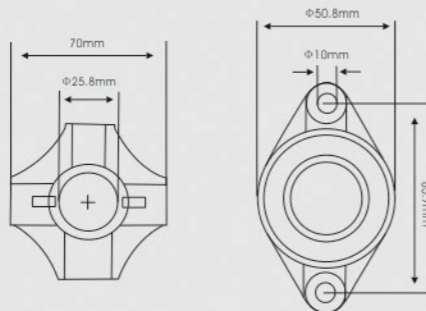
EN-NH-CD30004
DEC:164HL Drum
Maximum Hilift:4165mm
Maximum Door Height:10165mm
Maximum Door Werght:575kg
Maximum Cable Diameter:1/4"
Diameter Shaft:1"
Unit:Pair



EN-NH-CD30005
DEC:164HL-125 Drum
Maximum Hilift:4165mm
Maximum Door Height:10165mm
Maximum Door Werght:575kg
Maximum Cable Diameter:1/4"
Diameter Shaft:1-1/4"
Unit:Pair

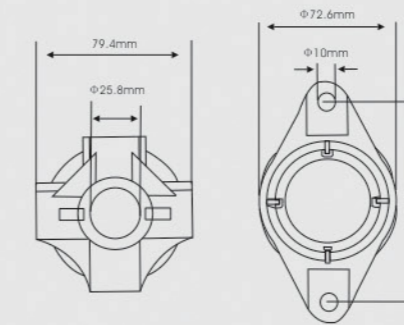


EN-NH-CD40001
DEC:1-3/4" U Spring Fittings
Maximum Hilift:44mm
For Shaft 1"
A pair Includes
-1 Universal Winding Cone
-1 Universal Stationary Cone
Unit:Pair

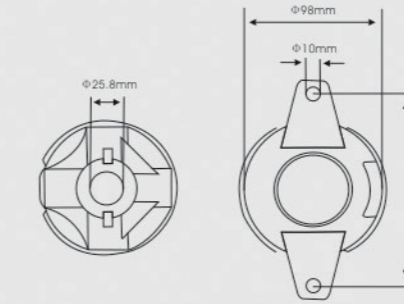


EN-NH-CD40002
DEC:2"U Spring Fittings
Spring Fittings 50mm
For Shaft 1"
A pair Includes
-1 Universal Winding Cone
-1 Universal Stationary Cone

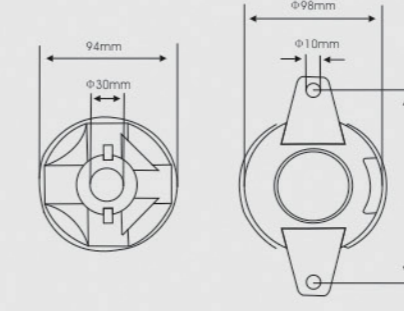
Cable Drum Series



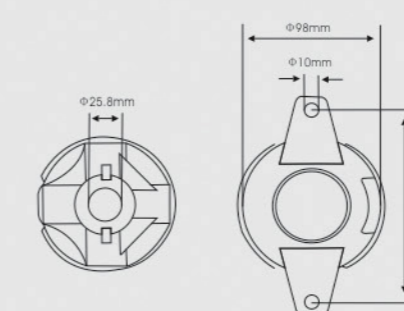
EN-NH-CD40003
DEC:2-5/8"U Spring Fittings
Spring Fittings 67mm
For Shaft 1"
A pair Includes
-1 Unicersal Winding Cone
-1 Unicersal Stationary Cone
Unit:Pair



EN-NH-CD40004
DEC:3-3/4"U Spring Fittings
Spring Fittings 95mm
Universal Left and Right
For Shaft 1"
A pair Includes
-1 Unicersal Winding Cone
-1 Unicersal Stationary Cone
Unit:Pair

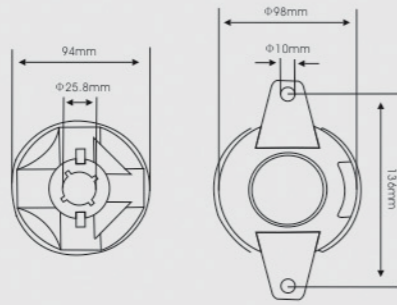


EN-NH-CD40005
DEC:3-3/4"U -125 Spring Fittings
Spring Fittings 95mm
Universal Left and Right
For Shaft 1-1/4"
A pair Includes
-1 Unicersal Winding Cone
-1 Unicersal Stationary Cone
Unit:Pair

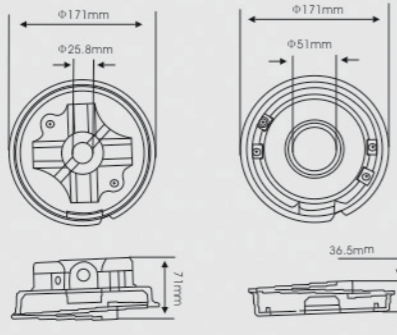
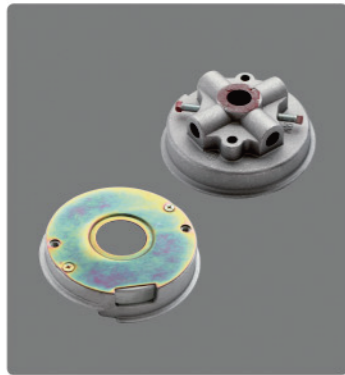


EN-NH-CD40006
DEC:3-3/4"NU Spring Fittings
Spring Fittings 95mm
Universal Left and Right For Shaft 1"
The Set includes
-1 Winding Cone Left
-1 Winding Cone Left
-1 Stationary Cone Right
Unit:Pair

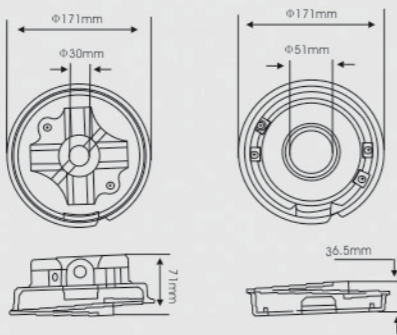
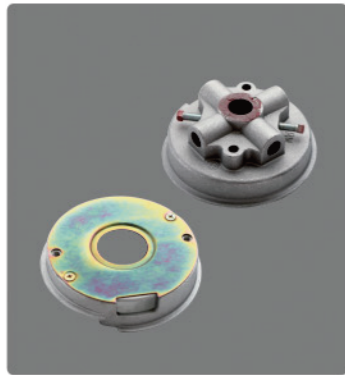
Cable Drum Series



EN-NH-CD40007
DEC:3-3/4"-4kW-NU Spring
Fittings
Universal Left and Right For Shaft 1"
The Set Includes
-1 Winding Cone Left
-1 Winding Cone Right
-1 Stationary Cone Ringht
Unit:Pair

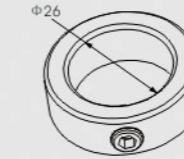


EN-NH-CD40008
DEC:6"-4kW-NU Spring
Spring Fittings 152mm
For Shaft 1"
The Set Includes
-1 Winding Cone Left
-1 Winding Cone Right
-1 Stationary Cone Left
-1 Stationary Cone Ringht
Unit:Pair

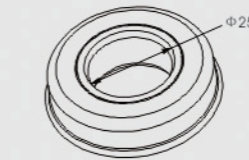


EN-NH-CD40009
DEC:6"-125 Spring Fittings
Spring Fittings 152mm
For Shaft 1-1/4"
The Set Includes
-1 Winding Cone Left
-1 Winding Cone Right
-1 Stationary Cone Left
-1 Stationary Cone Ringht
Unit:Pair

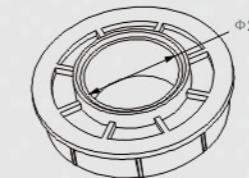
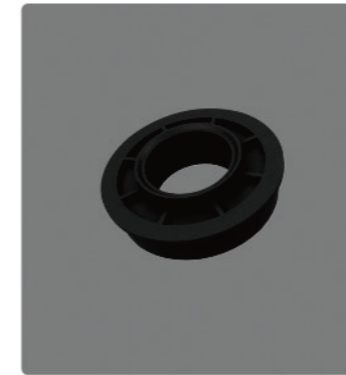
Miscellaneous Series



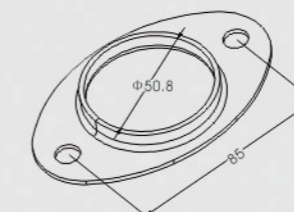
EN-NH-M10001
DEC:1" Ferule
For Use With Fixing 1" Bracing



EN-NH-M10002
DEC:1" Bearing
Material:Carbon Steel



EN-NH-M10003
DEC:Plastic Bearing

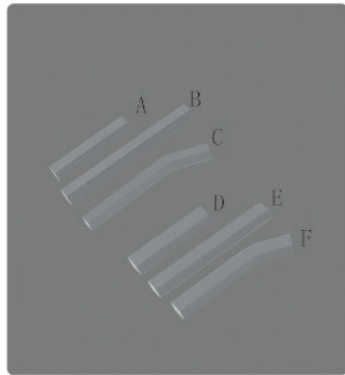


EN-NH-M10004
DEC:Bearing Sleeve
Material:Zinc Plating
Thickness:1.5mm

Miscellaneous Series



EN-NH-M10005
DEC:Three-eyes Splint
Material:Zinc Plating
Thickness:1.5mm



EN-NH-M10006 A/B/C/D/E/F
DEC:Key Way
Material:Zinc Plating

A 6.35x6.35x75	D 6.35x9.53x75
B 6.35x6.35x100	E 6.35x9.53x100
C 6.35x6.35x75	F 6.35x9.53x75



EN-NH-M10007
DEC:Small Size Pusher Spring
Material:Zinc Plating
Thickness:2.5mm



EN-NH-M10008
DEC:15"Pusher Spring
Material:Zinc Plating
Thickness:2.3mm

Miscellaneous Series



EN-NH-M10009
DEC:27" Pusher Spring
Material:Zinc Plating
Thickness:2.3mm



EN-NH-M10010
DEC:Emergency Lock
Material:Chrome Plated



EN-NH-M10011
DEC:Emergency Lock
Material:Chrome Plated



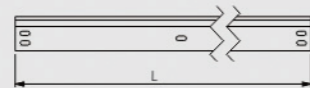
EN-NH-M10012
DEC:Steel Cable
The Diameter:3.0MM7*7
The Diameter:3.0MM7*19



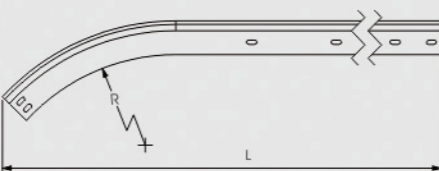
EN-NH-M10013
DEC:Steel Cable
The Diameter:4.0MM*7
The Diameter:4.0MM*19



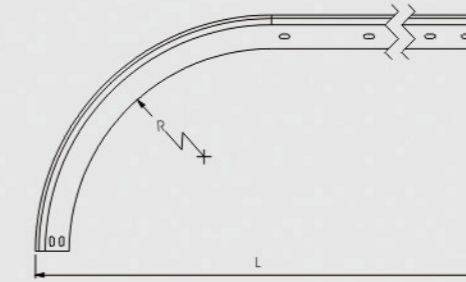
EN-NH-M10014
DEC:Steel Cable
The Diameter:4.0MM*7
The Diameter:4.0MM*19



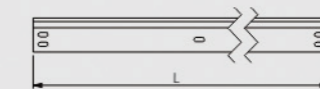
EN-NH-M10015
DEC:Vertical Track
Material:Galvanize
Thickness:1.5mm



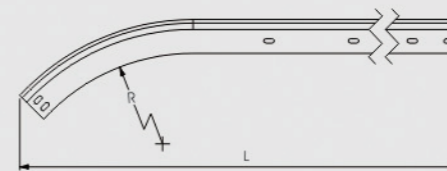
EN-NH-M10016
DEC:Horizontal Track
Material:Galvanize
Thickness:1.5mm



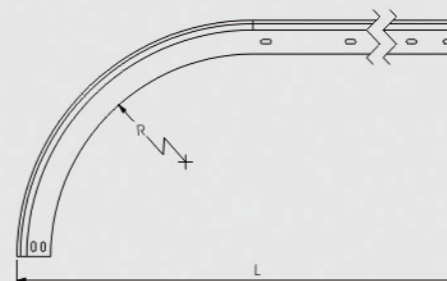
EN-NH-M10017
DEC:Horizontal Track
Material:Galvanize
Thickness:1.5mm



EN-NH-M10018
DEC:Horizontal Track
Material:Galvanize
Thickness:2.0mm

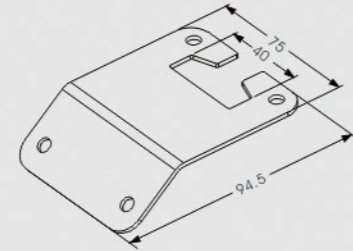


EN-NH-M10019
DEC:Horizontal Track
Material:Galvanize
Thickness:2.0mm



EN-NH-M10020
DEC:Horizontal Track
Material:Galvanize
Thickness:2.0mm

Miscellaneous Series



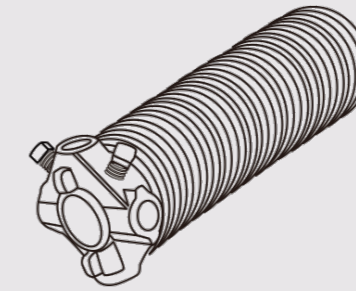
EN-NH-M10021
DEC:Spring Track Bracket
Material:Zinc Plating
Thickness:2.0mm



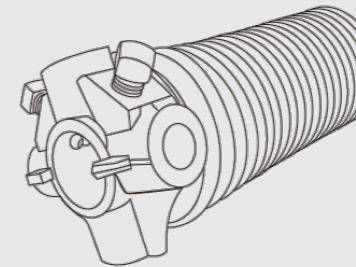
LM=M10022
DEC:Hardware Box

A: SINGLE DOOR TENSION KITS
B: SINGLE DOOR TORSION KITS
C: DOUBLE DOOR TORSION KITS
D: SINGLE CARAVAN DOOR TORSION KITS
E: DOUBLE CARAVAN DOOR TORSION KITS

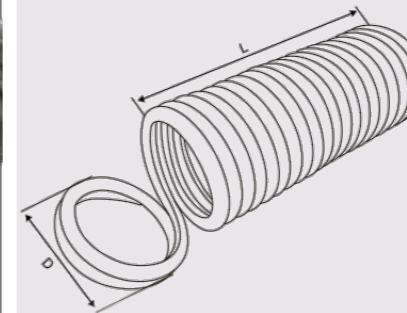
Spring Series



EN-NH-S10022
Torsion spring
Galvanized
L=3000mm
Size: \varnothing 50mm
67mm, 95mm,135,152mm

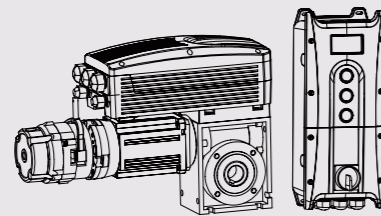


EN-NH-S10023
Torsion spring
Galvanized
L=3000mm
Size: \varnothing 50mm
 \varnothing 67mm, 95mm,135,152mm

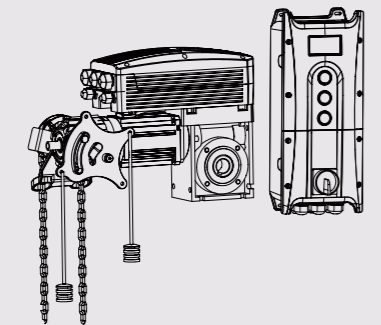


EN-NH-S10024
Torsion spring
Non Galvanized

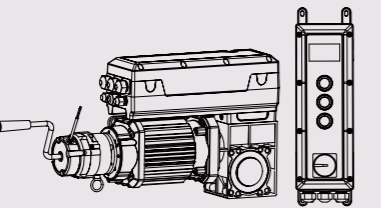
Commercial Door Operator



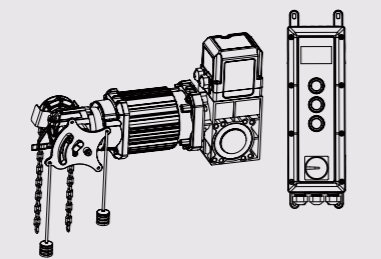
EN-NH-110V/220V High Speed Door Operator
Model: EN-SV40-HSD/EN-SV75-HSD/EN-SV100-HSD
Motor power in W: 400/750/1000
Speed in RPM: 10-250



EN-NH-110V/220V Industrial Sectional Door Operator
Model: EN-SV80-HSD/EN-SV120-HSD/EN-SV180-HSD
Motor power in W: 400/750/1000
Speed in RPM: 5-50

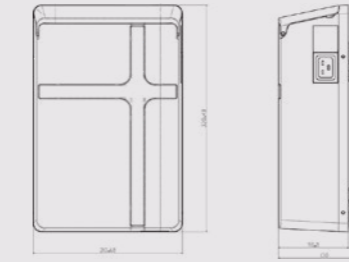
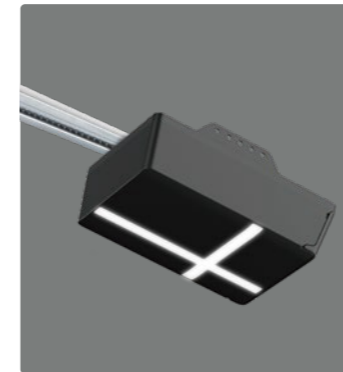


EN-NH-220V Sectional door operator
Model: EN-NH30-HSD/EN-NH65-HSD/EN-NH100-HSD
Motor power in W: 800/1100/1700
Torque in Nm: 30/65/100

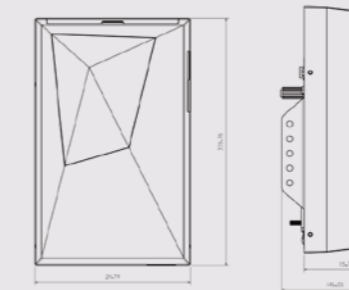
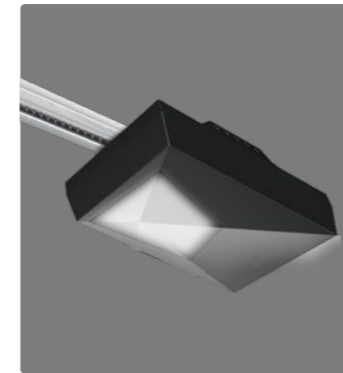


EN-NH-220V Sectional door operator
Model: EN-NH100-ISD-S/EN-HL140-ISD-S
Motor power in W: 800/1100
Torque in Nm: 100/140

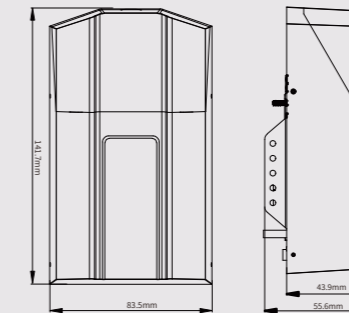
Garage Door Opener



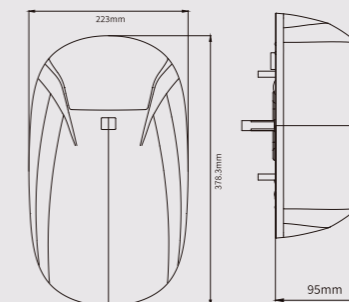
EN-NH-ETXA
Input voltage: 110-120VAC/230-240VAC 50/60Hz
Power Input: 220/230/320/420W
Opening Speed: 250mm/s



EN-NH-ETXD
Input voltage: 110-120VAC/230-240VAC 50/60Hz
Power Input: 220/230/320/420W
Opening Speed: 250mm/s



EN-NH-K
Input voltage: 110-120VAC/230-240VAC 50/60Hz
Power Input: 200/235/245/260W
Opening Speed: 160mm/s(250mm/s optional)



EN-NH-H
Input voltage: 110-120VAC/230-240VAC 50/60Hz
Power Input: 200/235/245/260W
Opening Speed: 160mm/s(250mm/s optional)

UK & Europe



Head Office
Entrar Access Technologies UK LTD
124 City Road, EC1V 2NX
London, United Kingdom
Call: +44(0)207 566 3939
Company registration in England and Wales: 06294297

Middle East & Africa



Entrar Access Technologies
GBC 2
Opposite to Old Airport Arrival Terminal
C Ring Rd, Doha, Qatar
Call: +97444023014

Entrar Line Trading L.L.C
Smartplace Business Center
Level 2, The Iridium Building
Al Barsha, Dubai - UAE
+971 5080 94464

India & Far East



Entrar Access Technologies India PVT LTD
No A-83, First Floor, Road No 2, Mahipalpur Extn,
New Delhi, Delhi
Call: +918310330566

